

Please read and study the Instruction Manual of Arrow products carefully before installation and using.
 And do not throw away the Instruction Manual, keep it to appreciate maximum advantage of the products and re-checking is necessary.

NOTE

Arrow Electronics Ind.Co.,Ltd. takes pride in its products. The products are manufactured to the highest standard including the Instruction Manual before shipping out from Arrow. However, should original purchaser of these Arrow products encounter deficiency or inadequacy, contact Arrow's authorized agent or Quality Assurance Section of Arrow.
 ●The dimension, specification and structure may change without notice.
 ●Arrow shall not bear any responsibility for damage, a loss of profit or a claim from a third person.

- 1** : **▲** Precaution for Safety.
- 2** : **▲** Parts name.
- 3** : **▲** Installment.
- 4** : **▲** Wiring.
- 5** : **▲** Alarm volume adjustment.
- 6** : **▲** LED unit alteration.
- 7** : **▲** Specifications.
- 8** : **▲** Dimensions.
- 9** : **▲** Optional parts.
- 10** : **▲** Installation diagram.

1 ▲ Precaution for Safety.

Please read the precaution note below, comprehend fully, and observe.

▲ To avoid electrical shock and fire.

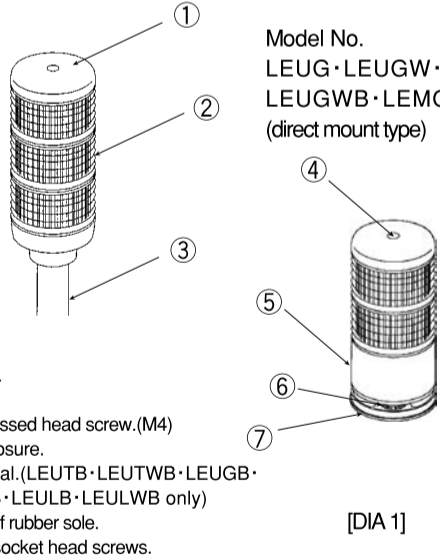
- This product limit Class2 connection.
- Please disconnect the electrical power when following works are necessary.
 - Wiring the unit.
 - Whenever necessary to open up the unit.

▲ To avoid damage to the unit.

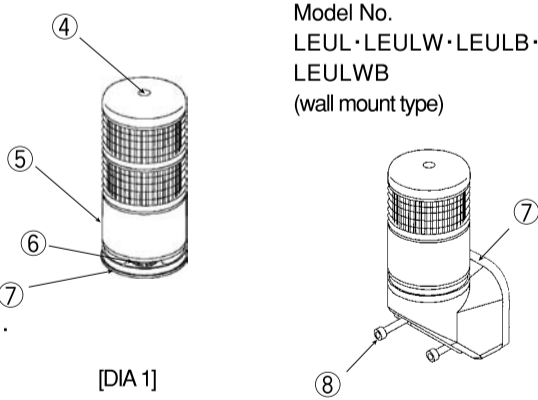
- Do not apply any other voltage other than indicated on the unit, nor apply voltage exceeding specified in the specification.
- Do not install or use the unit in the dense moisture atmosphere, humidity exceeding 35% ~ 85%RH.
- Do not install or use the unit in the atmosphere surrounded by corrosive gas.

2 Parts name.

Model No. LEUT·LEUTW·LEUTB·LEUTWB (pole type)



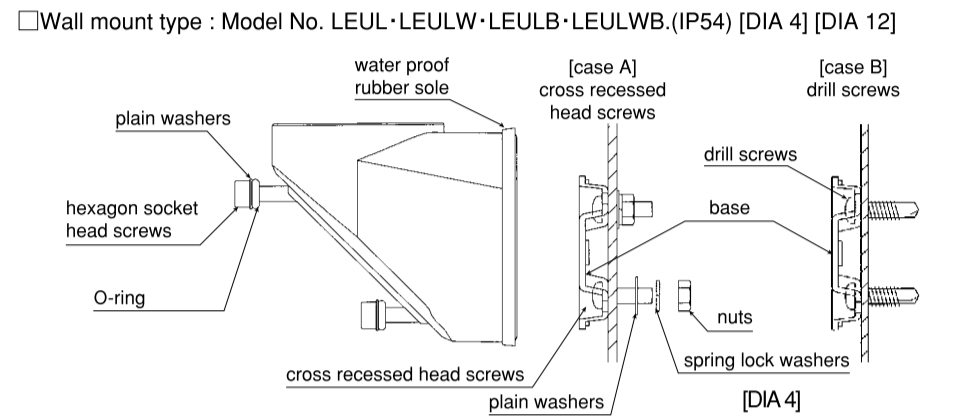
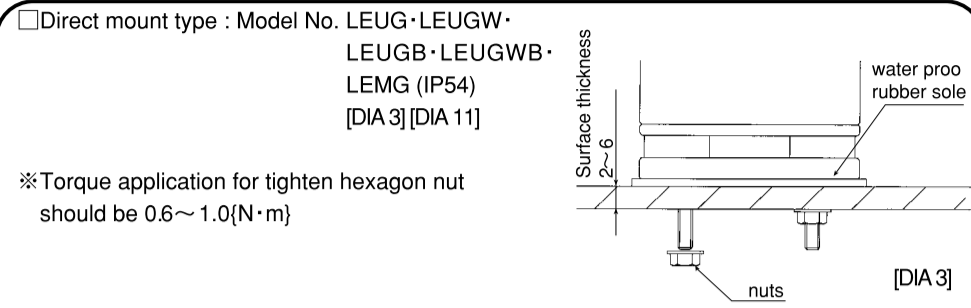
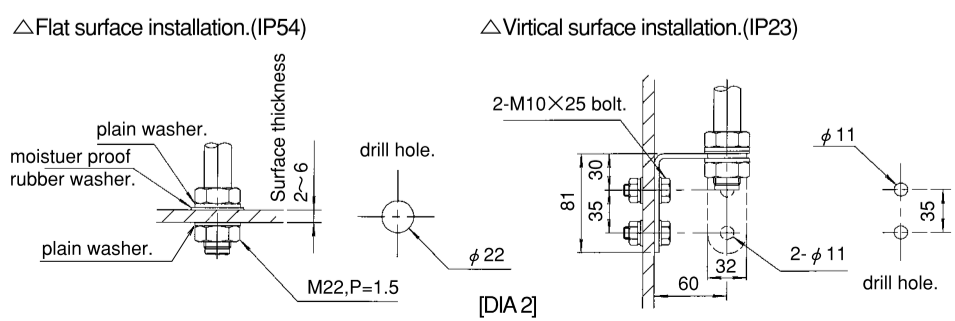
Model No. LEUG·LEUGW·LEUGB·LEUGWB·LEMG (direct mount type)



Model No. LEUL·LEULW·LEULB·LEULWB (wall mount type)

3 Installment.

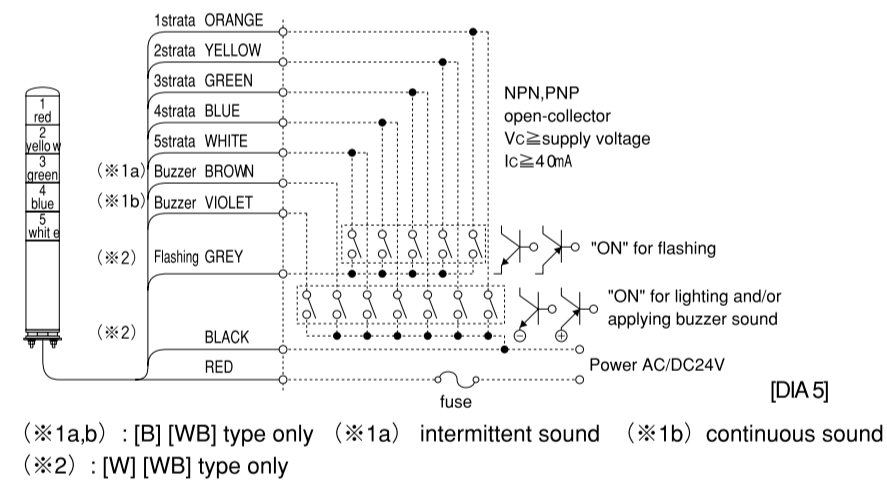
- To install the ARROW brand LED Sign Tower, it is recommended to select the panel surface which is least vibrating, flat and enough thickness to withstand the unit.
- Pole type : Model No. LEUT·LEUTW·LEUTB·LEUTWB



4 Wiring.

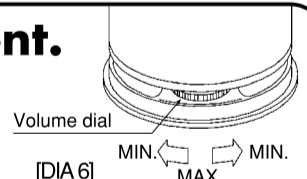
- This product limit Class2 connection.
- △ Cut off power source when installing and wiring.
- △ Voltage fluctuation should be no more than 10%.
- △ Do not install in area with strong surge and noise source.
- △ Apply insulated closed connector to unused cord to avoid short circuits.

□ Below diagram: [DIA5] shows example wiring for 5strata.



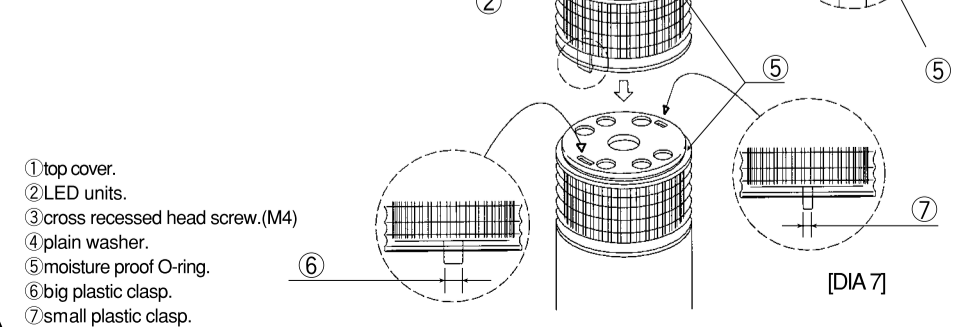
5 Alarm volume adjustment.

△ As shown in [DIA6], alarm sound may be adjusted from min.70dB to max.85dB by turning control dial from left to right. Alarm sound is maximum at middle.



6 LED unit alteration.

- △ Cut off power source when LED unit alteration is made.
- △ Remove top cover by unscrewing.
- △ Draw out each LED units gently.
- △ Place LED units at desired strata.
- △ Torque application for top cover is 0.5 ~ 0.7(N·m)



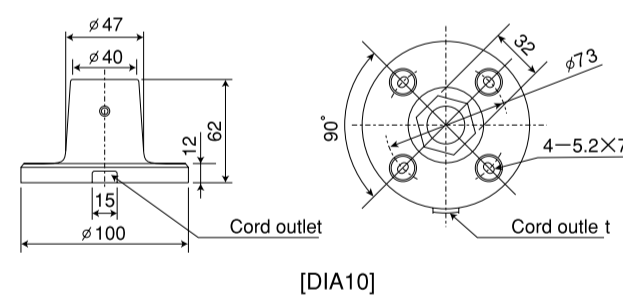
7 Specifications.

| Type | Model | strata | Voltage | Power consumption | Applicable fuse | Electronic buzzer | Material | Net wt. |
|-------------------|-------------|--------|---------|-------------------|-----------------|-------------------|---|---------|
| pole type | LEUT-24(W) | -1 | 1.2W | 0.6W | 0.5A | X | Top cover:PBT+ABS (UL94HB) Color lens:PC(UL94V2) Enclosure:ABS(UL94V2) & PC(UL94V2) pole:STK chrome plated L shape bracket:SPC cr3+ chromium chromating | 0.7kg |
| | | -2 | 1.2W | 0.8kg | | | | |
| | | -3 | 1.8W | 0.8kg | | | | |
| | | -4 | 2.2W | 0.9kg | | | | |
| | | -5 | 3.0W | 0.9kg | | | | |
| | LEUTB-24(W) | -1 | 1.6W | 0.9kg | | | | |
| | | -2 | 2.2W | 0.9kg | | | | |
| | | -3 | 2.8W | 0.9kg | | | | |
| | | -4 | 3.4W | 1.0kg | | | | |
| | | -5 | 4.0W | 1.0kg | | | | |
| direct mount type | LEUG-24(W) | -1 | 1.2W | 0.6W | 0.5A | X | continuous alarm sound, intermittent alarm sound alterble | 0.7kg |
| | | -2 | 1.2W | 0.8kg | | | | |
| | | -3 | 1.8W | 0.8kg | | | | |
| | | -4 | 2.4W | 0.9kg | | | | |
| | | -5 | 3.0W | 0.9kg | | | | |
| | LEUGB-24(W) | -1 | 1.6W | 0.9kg | | | | |
| | | -2 | 2.2W | 0.9kg | | | | |
| | | -3 | 2.8W | 0.9kg | | | | |
| | | -4 | 3.4W | 1.0kg | | | | |
| | | -5 | 4.0W | 1.0kg | | | | |
| wall mount type | LEUGW-24(W) | -1 | 1.6W | 0.9kg | 0.5A | O | maximum sound level 85dB | 0.9kg |
| | | -2 | 2.2W | 0.9kg | | | | |
| | | -3 | 2.8W | 0.9kg | | | | |
| | | -4 | 3.4W | 1.0kg | | | | |
| | | -5 | 4.0W | 1.0kg | | | | |
| | LEUL-24(W) | -1 | 1.6W | 0.9kg | | | | |
| | | -2 | 2.2W | 0.9kg | | | | |
| | | -3 | 2.8W | 0.9kg | | | | |
| | | -4 | 3.4W | 1.0kg | | | | |
| | | -5 | 4.0W | 1.0kg | | | | |
| LEULB-24(W) | -1 | 1.6W | 0.9kg | 0.5A | O | | 0.9kg | |
| | -2 | 2.2W | 0.9kg | | | | | |
| | -3 | 2.8W | 0.9kg | | | | | |
| | -4 | 3.4W | 1.0kg | | | | | |
| | -5 | 4.0W | 1.0kg | | | | | |

Operable voltage : ±10%
 Operable temperature : -30℃~50℃
 Operable moisture : 35%RH~85RH no condensation
 Operable atmosphere : no corrosive gas
 Moisture / Dust proof : IP54(a case of used L shape bracket or Adapting optional parts IP23)

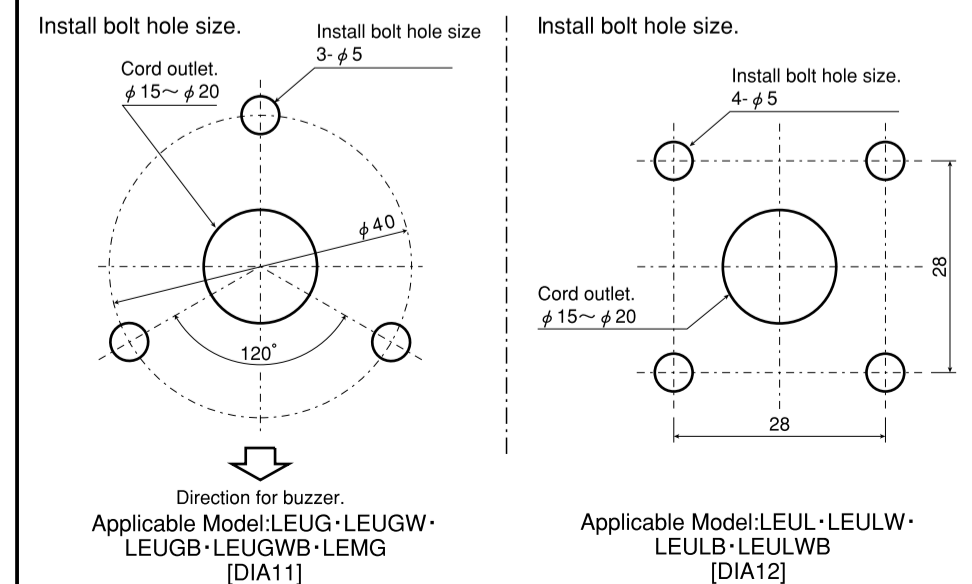
9 Optional parts.

Base stand : Model No.SB-103. Option base stand for vertical install

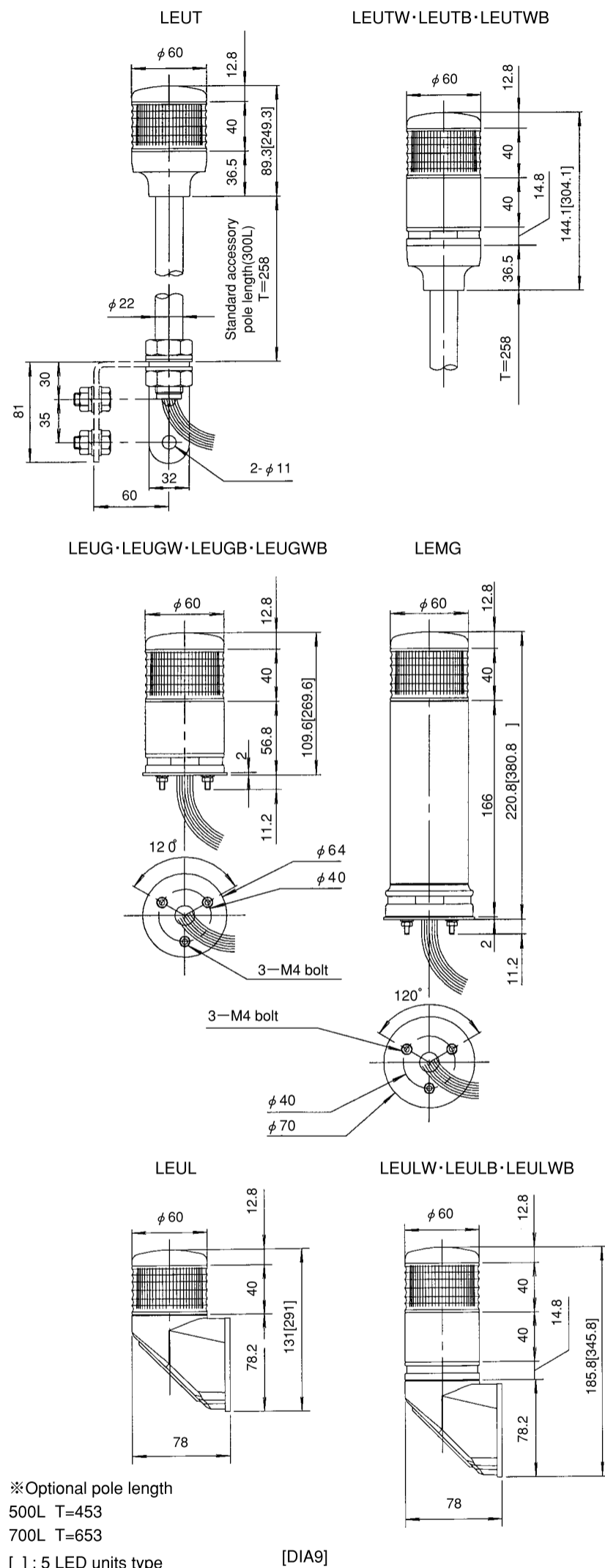


10 Installation diagram.

for direct mount type [DIA11] & wall mount type [DIA12]



8 Dimensions.



※Optional pole length
 500L T=453
 700L T=653
 [] : 5 LED units type

ARROW CO.,LTD.
<http://www.arrow-elec.co.jp>

- Headquarters** 3-30-20 Hanaten higashi, Tsurumi-ku, Osaka City, Osaka Japan 538-0044
 TEL 81-6-6961-1333 FAX 81-6-6969-0510
- Sendai Sales Office** 5-2-3 Hukumuro, Miyagino-ku, Sendai City, Miyagi Japan 983-0005
 TEL 81-22-796-0278 FAX 81-22-259-8884
- Tokyo Sales Office** 10F 4-1-1 Kamikubukuro, Toshima-ku, Tokyo City, Tokyo Japan 170-0012
 TEL 81-3-5907-3230 FAX 81-3-5907-3231
- Kanagawa Sales Office** 3F 301-5 Nakayama-chuo, Midori-ku, Yokohama City, Kanagawa Japan 226-0011
 TEL 81-45-938-0500 FAX 81-45-938-0600
- Nagoya Sales Office** 3-105-1 Issha Meitou-ku, Nagoya City, Aichi Japan 465-0093
 TEL 81-52-709-5556 FAX 81-52-709-5573
- Osaka Sales Office** 3-30-20 Hanaten higashi, Tsurumi-ku, Osaka City, Osaka Japan 538-0044
 TEL 81-6-6961-0325 FAX 81-6-6961-1199
- Hiroshima Sales Office** 1F 20-3 Mitaki-machi, Nishi-ku, Hiroshima City, Hiroshima Japan 733-0005
 TEL 81-82-239-7254 FAX 81-82-239-7256
- Fukuoka Sales Office** 1-6-36 Muro Oko, Hakata-ku, Fukuoka City, Fukuoka Japan 812-0894
 TEL 81-92-574-5446 FAX 81-92-574-5450